

# DPO A4

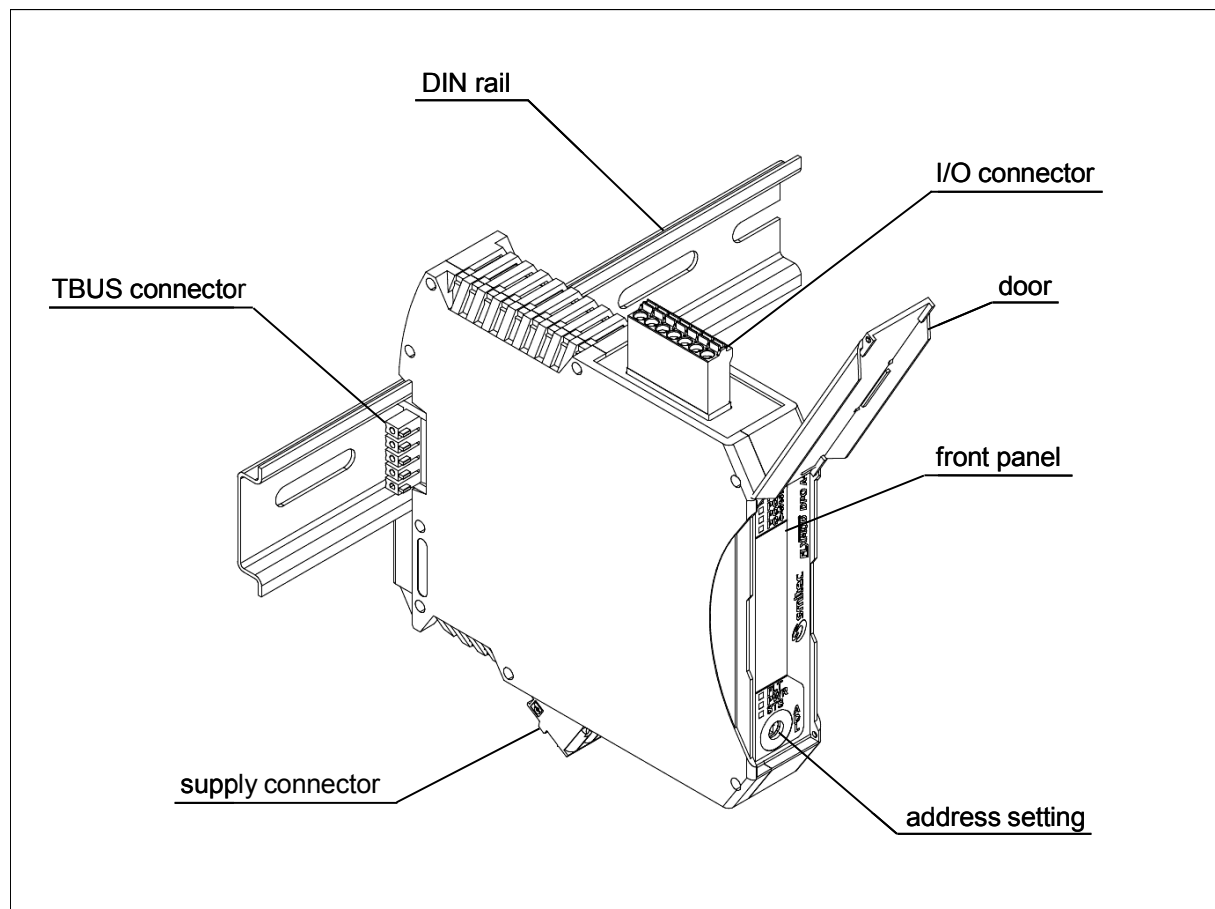
## Module with 4 digital outputs

Datasheet

### Description

Module with 4 digital outputs. Main characteristics:

- 4 digital outputs
- Maximum output current: 2 A for each output, 7 A total
- Overcurrent and overtemperature protection
- Status and diagnostic LEDs



---

## Ordering informations

<b>Products</b>	<b>SMITEC part number</b>
Module with 4 digital outputs, complete with accessories (power connector, I/O connector and TBUS connector)	KZ010221

<b>Accessories</b>	<b>SMITEC part number</b>
Power supply connector (Phoenix Contact p/n 1910377)	KF100009
I/O connector (Phoenix Contact p/n 1952319)	KF101050
TBUS connector (Phoenix Contact p/n 2713722)	KF101034
Power supply fuse (Littelfuse p/n 0451 010)	KD201038

<b>Documentation</b>	<b>SMITEC part number</b>
Installing instructions	DK400042
Datasheet for DPO A4	DK400066
FLXIO and FLXMOD system integration manual	DK400076

## Technical data

General data	
Housing dimensions (width x height x depth)	22.5 mm x 99.0 mm x 114.5 mm
Weight	94 g (without connectors), 109 g (with connectors)
Connection method for connectors	Spring cage terminals
Conductor cross-section (power connector)	0.2 to 2.5 mm <sup>2</sup> (24 – 12 AWG)
Conductor cross-section (I/O connector)	0.2 to 1.5 mm <sup>2</sup> (24 – 16 AWG)
Functional earth connection	To the DIN rail with spring contact
Mode state visual indicators	Fault (FLT), status (STS) and power (PWR) LED lamps

Environment data	
Permissible operating temperature	+5° to +55°C
Permissible storage and transport temperature	-25° to +85°C
Permissible humidity	10% to 95%, not condensing
Permissible air pressure (operation)	80 to 106 kPa (up to 2000 m above sea level)
Permissible air pressure (storage and transport)	70 to 106 kPa (up to 3000 m above sea level)
Degree of protection (CE)	IP20 according to IEC 60529
Degree of protection (UL)	Open Type
Overvoltage category	II
Pollution degree	2
Means of protection (UL)	Class III SELV power supply

Power supply	
Main power supply $V_M$	24 V DC $\approx$ (-15% ÷ + 20% according to IEC 61131-2)
Maximum allowed ripple	5% of supply voltage (according to IEC 61131-2)
Current consumption from main supply	7 A max. (total of digital outputs and $V_S$ current)
Supply overvoltage protection on $V_M$	Unidirectional Zener clamp ( $V_z > 30$ V)
Supply reverse polarity protection on $V_M$	Input shunt diode, reverse connected
Supply fuse	10 A, not replaceable by the user
Local bus power supply	5 V DC (from local bus)
Local bus supply protections	None
Power presence visual indicators	Green LED lamp, lighted if main supply is present (PWR)
Power load from local bus at 5V DC	Approx. 0,7W
Power load from local bus at 24V DC	None
Total power dissipation	Approx. 0,7W + 0,65W for each output at full load (resistive with $f=500$ Hz) or 0,3W for each output at full load (resistive with $f=0$ Hz)
Max. current on $V_S$ pin	5 A max.

<b>Digital outputs</b>	
Number of outputs	4
Nominal output voltage	24 V DC
Outputs rated current	2 A each, 7.0A max total
Common potentials	GND, common to all outputs
Output design	High-side MOSFET with inductive load Zener clamp
Output voltage drop	< 1 V at rated current
Nominal load (ohmic)	12 $\Omega$ / 48 W
Nominal load (lamp)	48 W
Nominal load (inductive)	48 VA (load inductance < 4 H)
Short circuit current	6.8 A max.
Output protection	Overload, short circuit, overtemperature
Overload response	Auto restart
Overload and short-circuit recovery time	Depending on board temperature
Overtemperature recovery time	Depending on board temperature
Inductive kickback behaviour	Zener clamp, integrated in output chip
Output negative voltage	52 V below $V_m$ typical
Output off to on switching delay	150 $\mu$ s max. (ohmic load)
Output on to off switching delay	200 $\mu$ s max. (ohmic load)
Output leakage current	10 $\mu$ A max.
Permissible cable length to the load	30 m (to ensure conformance with EMC directive 2014/30/UE).
Output state visual indicator	One orange LED lamp for every output, switched on if output level is high

<b>Interface</b>	
Local bus	Proprietary FLXIO™
Module address setting	By rotary switch on front panel
Bus connections	By TBUS connectors on DIN rail
Interface circuitry protections	ESD protections
Level of ESD protection	$\pm$ 8 kV (IEC 61000-4-2, contact discharge)

---

## Connections

The module has two connectors: a power connector and an I/O connector. They allow easy “plug and play” of the module, and also a fast replacement of a faulty unit.



**Warning:** Use a cable with cross-section suited to the current involved. A wire smaller than necessary can cause risk of fire and unwanted voltage drops.



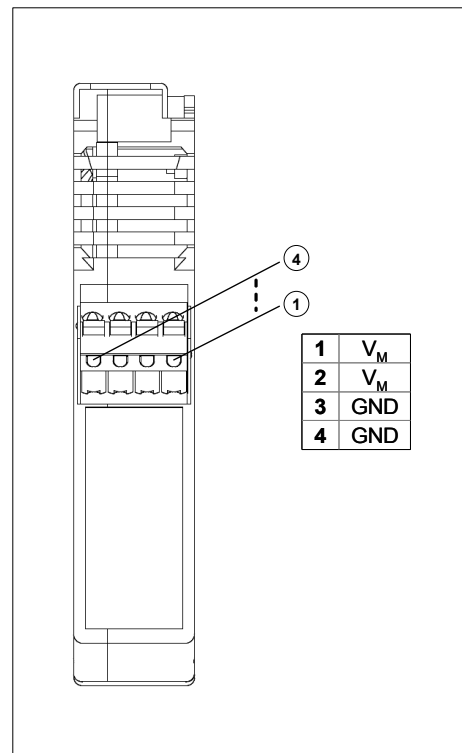
**Warning:** To ensure conformance with EMC directive 2014/30/UE, the length of the cables must not exceed 30 m!

### Power connector

The power connector is located on the bottom wall of the module. For the pinout, refer to the illustration.

Its function is to provide the supply for the I/O circuitry, whilst the CPU of the module is fed by the TBUS connector on the back of the unit.

Refer to the FLXIO and FLXMOD System Integration Manual for power connections topology.



For connector ratings and the applicable wiring refer to the following table

<b>Connector type: Phoenix Contact FKC 2,5/ 4-ST (1910377)</b>			
<b>Order code: KF100009</b>			
<b>Technical data</b>		<b>Conductor cross section</b>	
Nominal voltage (CE)	250V	Solid (CE)	0,2÷2,5mm <sup>2</sup>
Nominal voltage (UL)	300V	Solid (UL)	26÷12AWG - 75°C
Nominal current (CE)	12A	Flexible (CE)	0,2÷2,5mm <sup>2</sup>
Nominal current (UL)	10A	Flexible (UL)	26÷12AWG - 75°C
		Flexible, with ferrule without plastic sleeve	0,25÷2,5mm <sup>2</sup>
Stripping length	10mm	Flexible, with ferrule with plastic sleeve	0,25÷2,5mm <sup>2</sup>
Screwdriver to open contacts	0,6 x 3,5mm	2 flexible conductors with same cross section, stranded, TWIN ferrules with plastic sleeve	0,5÷1,5mm <sup>2</sup>

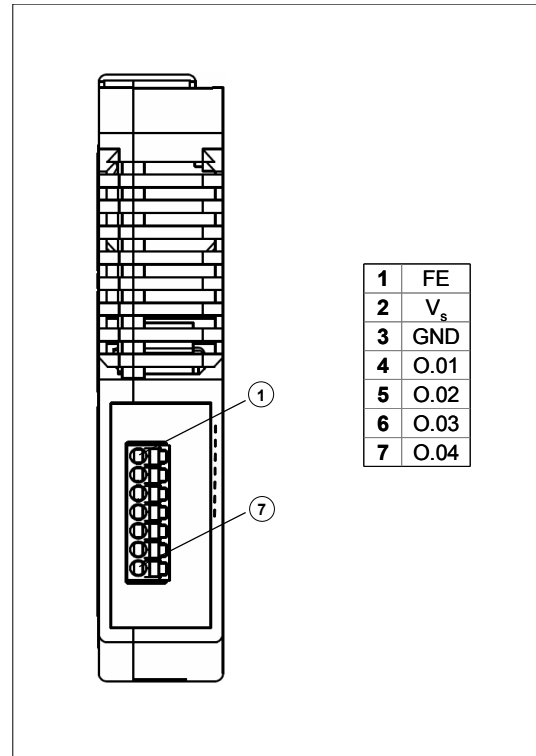


**Warning:** Pay attention to NOT supply the module with reverse polarity. This is to not blow internal fuse and/or damage the connected devices and/or burn the module itself.

## I/O connector

Located on the upper side of the module, this connector (see illustration) permits the wiring of the actuators.

As you can see from the illustration, each row of the connector has the same pinout, to ease the wiring and prevent mistakes.



For connector ratings and the applicable wiring refer to the following table

<b>Connector type: Phoenix Contact FMC 1,5/7-ST-3,5 (1952319)</b>			
<b>Order code: KF101050</b>			
<b>Technical data</b>		<b>Conductor cross section</b>	
Nominal voltage (CE)	160V	Solid (CE)	0,2÷1,5mm <sup>2</sup>
Nominal voltage (UL)	150V	Solid (UL)	24÷16AWG - 75°C
Nominal current (CE)	8A	Flexible (CE)	0,2÷1,5mm <sup>2</sup>
Nominal current (UL)	8A	Flexible (UL)	24÷16AWG - 75°C
Stripping length	10mm	Flexible, with ferrule without plastic sleeve	0,25÷1,5mm <sup>2</sup>
Screwdriver to open contacts	0,4 x 2,5mm	Flexible, with ferrule with plastic sleeve	0,25÷0,75mm <sup>2</sup>

---

### Connection notes

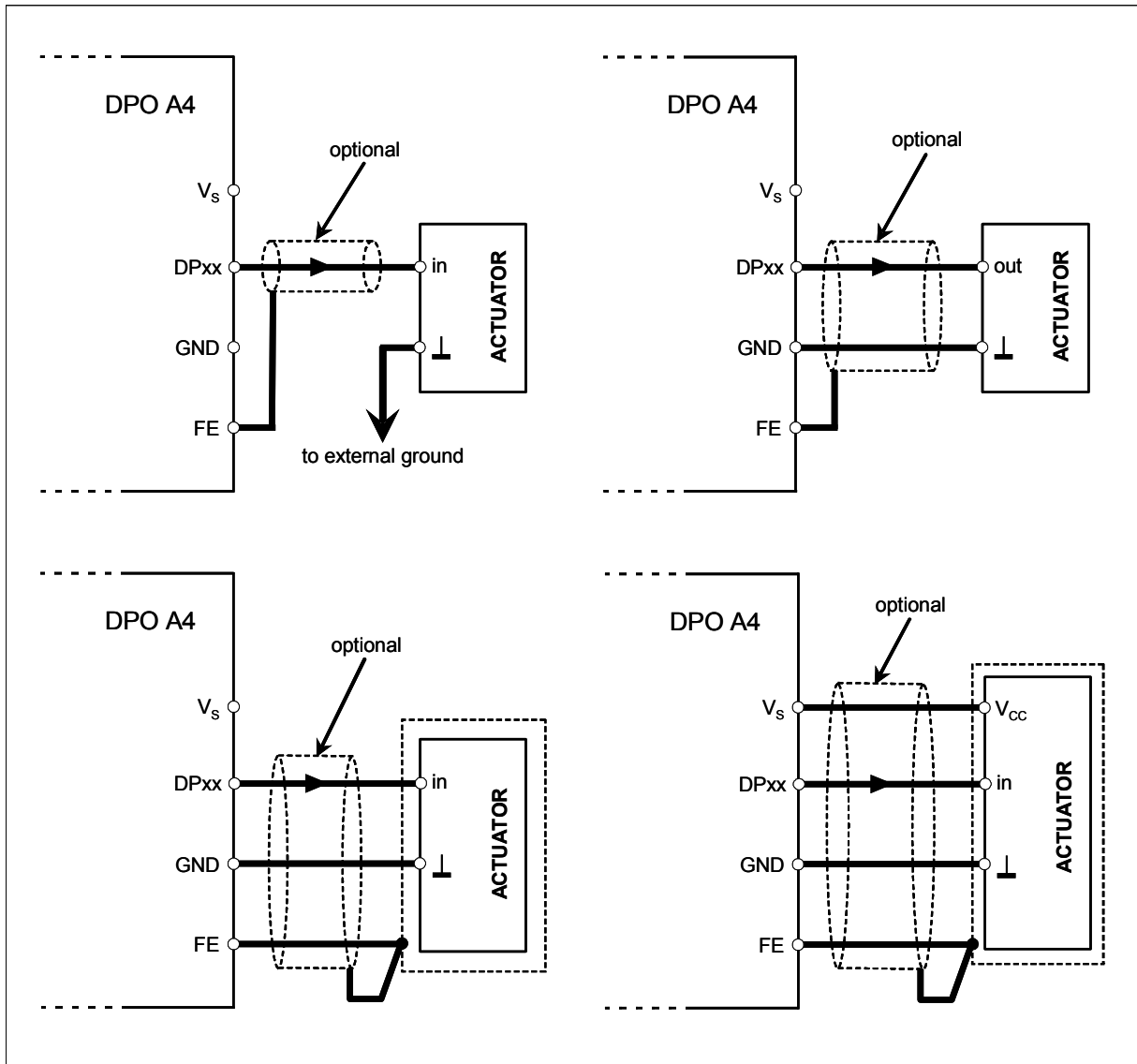
The connection scheme differs slightly depending on the actuator itself. In more detail, the wiring is different using 1-wire, 2-wire, 3-wire and 4-wire devices (see illustrations in the following pages).

The sum of the current provided by the outputs and the supply current for the loads (if provided by the I/O connector) must not exceed 7 A, or the module internal fuse will blow.



**Warning:** If the system have to work in noisy environment (typical in some industrial plants), you can improve electromagnetic immunity by using a shielded cable; in usual conditions, these precautions are unnecessary.





Recommended wiring for 1-wire (above, on the left), 2-wire (above, on the right), 3-wire (below, on the left) and 4-wire (below, on the right) actuators.

---

## Module addressing

Before operation you must set the address of the module by the rotary switch reachable from the front panel; the operation is easily done opening the transparent plastic cover and turning the rotor with a small bladed screwdriver.

The address determination is described in the FLXIO and FLXMOD System Integration Manual.

## Diagnostic and status indicators

Each module is provided with a series of LED lamps on the front panel (see illustration), that indicates the status of the unit, the logic state of every output and a possible diagnostic warning. For the sake of clarity, different lamp colours are employed.

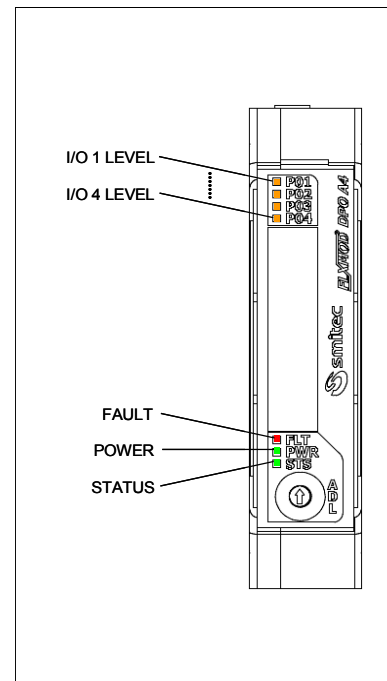
The green power (**PWR**) LED is lighted if the 24 V supply ( $V_M$ ) is present and the internal fuse is not blown.

Self monitoring of supply voltage is also implemented to deliver a best self-diagnosis. The module switches in diagnostic error when  $V_M > 30Vdc$  and when  $V_M <$  of the value set up by the master module (low voltage check is disabled by default); this status is displayed by STS LED.

This module is provided by outputs short circuit and overload protection.

In case of short-circuit of at least one digital output, it immediately shuts down the involved output; then, for safety reasons, the internal logic shuts down all outputs and a diagnostic error is issued by STS LED.

In output/s overload condition the self-diagnostic may take some time before the diagnostic error is issued, depending on the severity of the overload (thermal protection). The actions taken in this case are the same of above.



Only in the not UL compliant modules (see label on the side of the case), an overall internal module temperature diagnostic issues a diagnostic error when the internal temperature exceeds 85°C. It may be caused by the combination of environment temperature and digital outputs total current. The status is displayed again by the STS LED.

The UL compliant modules have no temperature alarm.

The **P01-P04** orange LEDs indicate, if lighted, that the corresponding input/output logical level is “1”.

The status of the unit is indicated by both status (**STS**) and fault (**FLT**) LEDs; their behaviour is described in the following logic state chart. The exact cause of a diagnostic error can be read out by master module and the application software.

