

ACS 01

Adapter for external access to the FLXIO™ bus

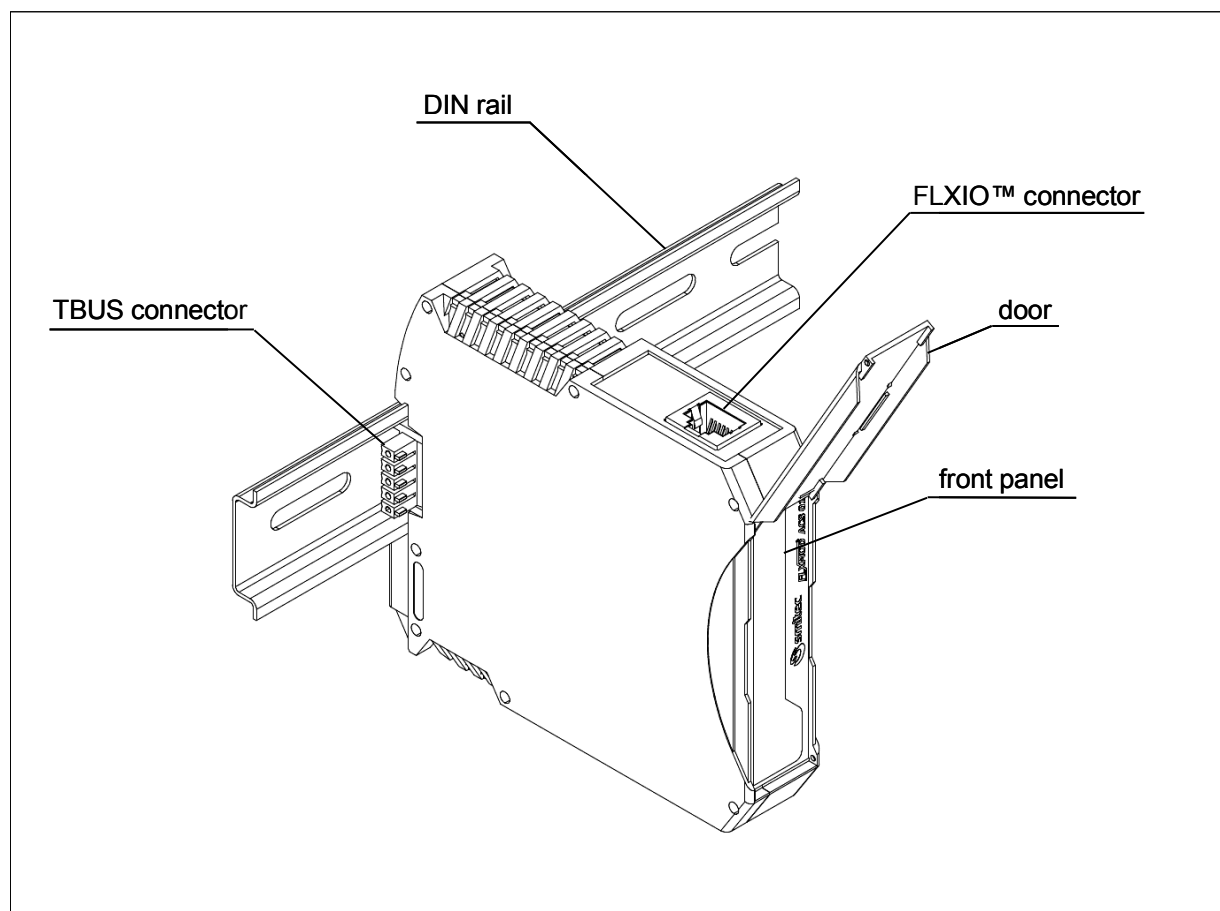
Datasheet

Description

Adapter to create a new branch of a FLXIO™ bus on a separated DIN rail.

Main characteristics:

- RJ-45 connector for FLXIO™ bus



Ordering informations

| Products | SMITEC part number |
|--|---------------------------|
| Adapter for external access to the bus, complete with TBUS connector | KZ010218 |

| Accessories | SMITEC part number |
|--|---------------------------|
| TBUS connector (Phoenix Contact p/n 2713722) | KF101034 |

| Documentation | SMITEC part number |
|--|---------------------------|
| Installing instructions | DK400042 |
| Datasheet for ACS 01 | DK400062 |
| FLXIO and FLXMOD system integration manual | DK400076 |

Technical data

| General data | |
|---|---|
| Housing dimensions (width x height x depth) | 22.5 mm x 99.0 mm x 114.5 mm |
| Weight | 88 g (without connectors), 93 g (with connectors) |
| Bus external connections | By RJ-45 connector |
| Recommended cable type | Straight CAT 5E Ethernet cable |
| Max cable length | 3 m |
| Functional earth connection | To the DIN rail with spring contact |
| Mode state visual indicators | none |
| Bus termination resistor | none |

| Environment data | |
|--|--|
| Permissible operating temperature | +5° to +55°C |
| Permissible storage and transport temperature | -25° to +85°C |
| Permissible humidity | 10% to 95%, not condensing |
| Permissible air pressure (operation) | 80 to 106 kPa (up to 2000 m above sea level) |
| Permissible air pressure (storage and transport) | 70 to 106 kPa (up to 3000 m above sea level) |
| Degree of protection (CE) | IP20 according to IEC 60529 |
| Degree of protection (UL) | Open Type |
| Overvoltage category | II |
| Pollution degree | 2 |
| Means of protection (UL) | Class III SELV power supply |

Connections

The module has one RJ-45 connector, located on the upper wall of the module. It permits the external extension of the FLXIO™ bus using a standard Ethernet cable.



Warning: To ensure conformance with EMC directive 2014/30/UE, the length of the cables must not exceed 30 m!

Refer to the FLXIO and FLXMOD System Integration Manual for details on correct bus extension topology.