



DPO A4

FLXMOD

Digital outputs module

Description

FLXMOD™ system digital I/O module, with 4 digital 24V outputs. This unit, designed for mounting on a standard DIN rail and housed in a compact plastic case, is able to deliver up to 2A for each output. Proprietary FLXIO™ bus ensure reliable real-time communication with the CPU.



Smittec S.p.A.

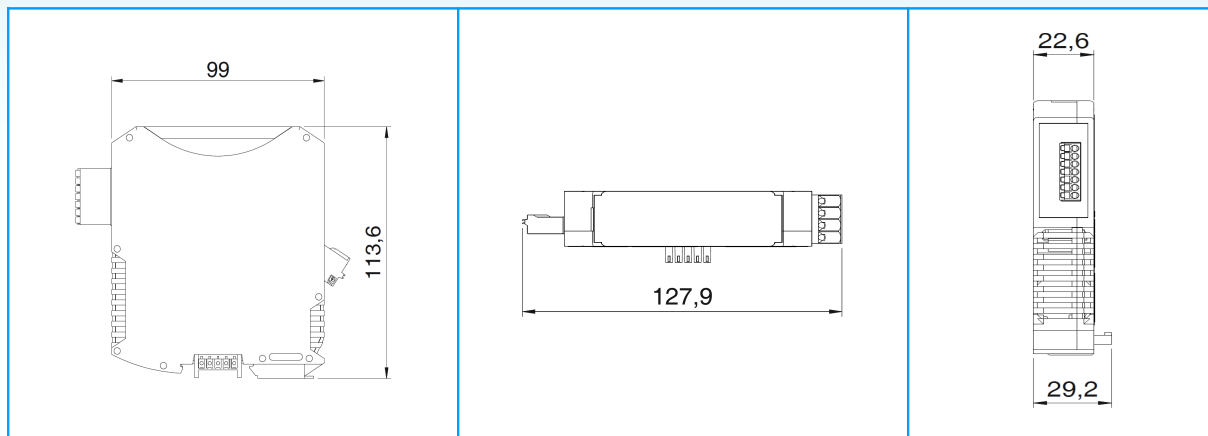
Viale Vittorio Veneto, 4 - 24016 San Pellegrino Terme (BG) ITALY
Tel. +39 0345 40.800 - Fax: +39 0345 40.809 - www.smittec.it

Head office:

Via Carlo Ceresa, 10 - 24015 San Giovanni Bianco (BG) ITALY
C.F. e P. IVA IT03790400166

Technical data	
Housing material	Polypropylene
Degree of protection	IP20
Number of digital outputs	4
Outputs characteristics	Current-sourcing hi-side MOSFET with fast demagnetizing feature, 2A max.
Protection features	Overload, short-circuit and overtemperature
Interface	Proprietary FLXIO™
Bus address setting	By rotary switch
Electrical specifications	Power supplies: I/O supply: 24V _{DC} / 7A max. Logic supply: 24V _{DC} and 5V _{DC} from backplane
Environmental specifications	Operating temperature: from +5°C to +55°C Storage temperature: from -25°C to +85°C Relative humidity: from 10% to 95% (non condensing)

Dimensions



Data here mentioned are subject to changes without any notice.