

ACS 01

Adapter for external access to the FLXIO™ bus

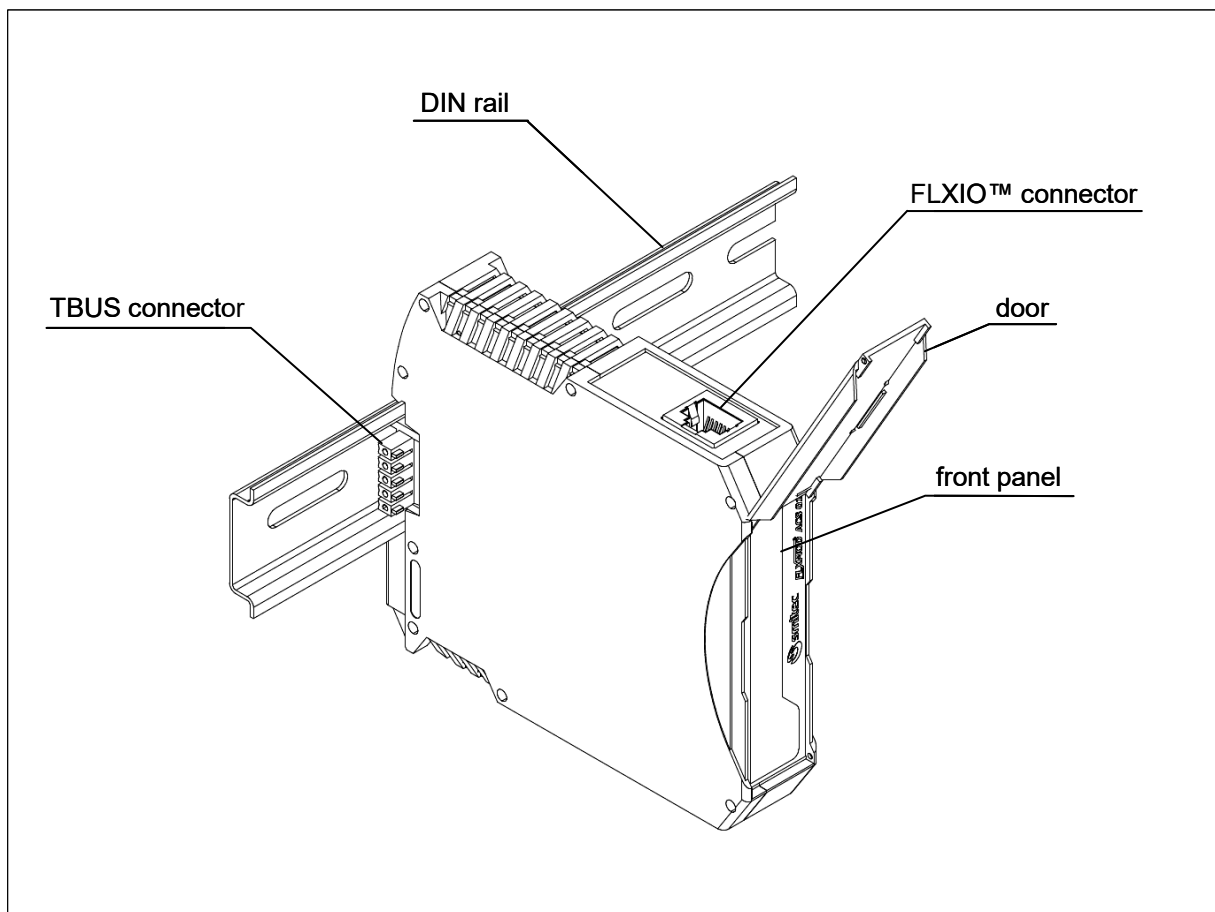
Datasheet

Description

Adapter to create a new branch of a FLXIO™ bus on a separated DIN rail.

Main characteristics:

- RJ-45 connector for FLXIO™ bus



Ordering informations

Products	SMITEC part number
Adapter for external access to the bus, complete with TBUS connector	KZ010218

Accessories	SMITEC part number
TBUS connector (Phoenix Contact p/n 2713722)	KF101034

Documentation	SMITEC part number
Installing instructions	DK400042
Datasheet for ACS 01	DK400062
FLXIO and FLXMOD system integration manual	DK400076

Technical data

General data	
Housing dimensions (width x height x depth)	22.5 mm x 99.0 mm x 114.5 mm
Weight	88 g (without connectors), 93 g (with connectors)
Bus external connections	By RJ-45 connector
Recommended cable type	Straight CAT 5E Ethernet cable
Max cable length	3 m
Functional earth connection	To the DIN rail with spring contact
Mode state visual indicators	none
Bus termination resistor	none

Environment data	
Permissible operating temperature	+5° to +55°C
Permissible storage and transport temperature	-25° to +85°C
Permissible humidity	10% to 95%, not condensing
Permissible air pressure (operation)	80 to 106 kPa (up to 2000 m above sea level)
Permissible air pressure (storage and transport)	70 to 106 kPa (up to 3000 m above sea level)
Degree of protection (CE)	IP20 according to IEC 60529
Degree of protection (UL)	Open Type
Overvoltage category	II
Pollution degree	2
Means of protection (UL)	Class III SELV power supply

Connections

The module has one RJ-45 connector, located on the upper wall of the module. It permits the external extension of the FLXIO™ bus using a standard Ethernet cable.



Warning: To ensure conformance with EMC directive 2014/30/UE, the length of the cables must not exceed 30 m!



Warning: If the equipment is used in a manner not specified by the manufacturer, the protection provided by the equipment may be impaired

Refer to the FLXIO and FLXMOD System Integration Manual for details on correct bus extension topology.