

VVO A2

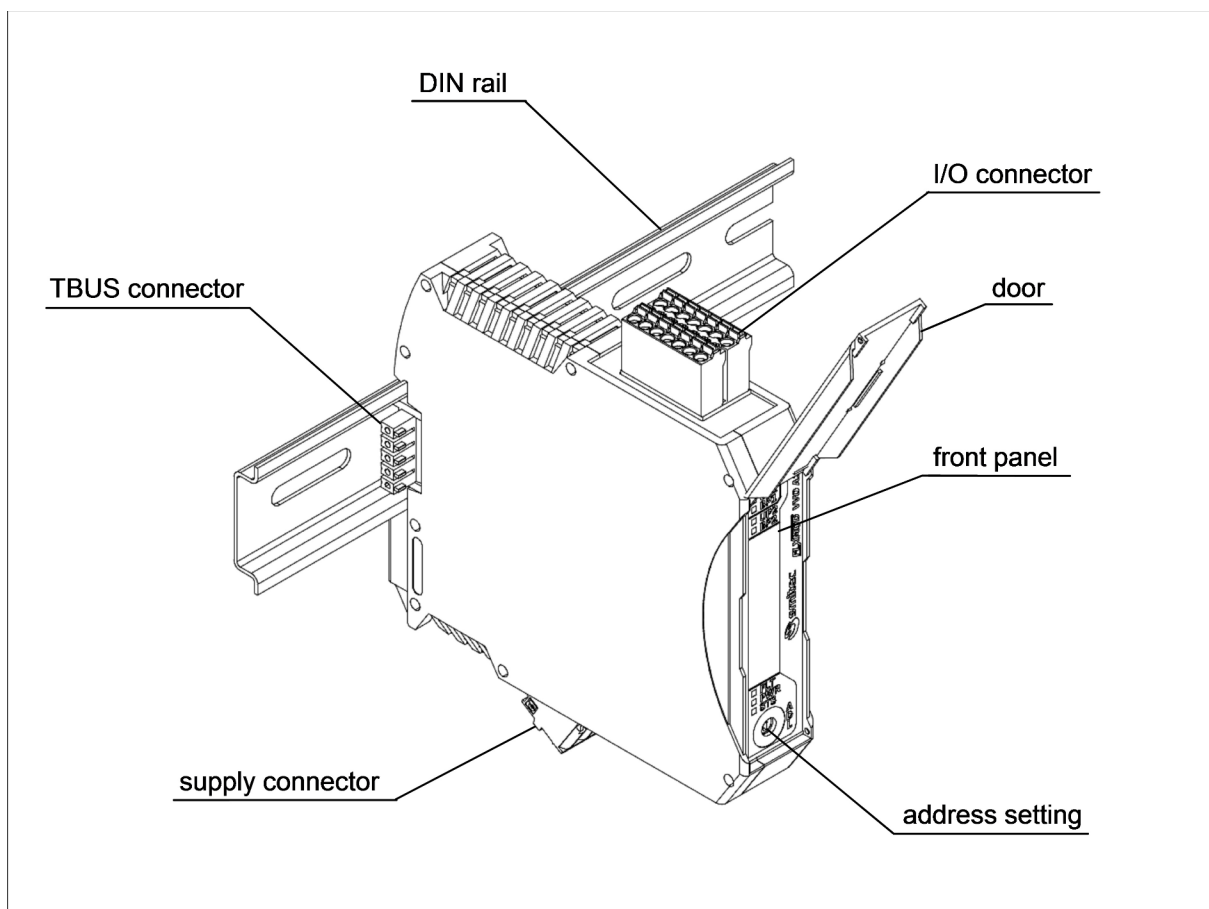
Module with 2 analog outputs

Datasheet

Description

Module with 4 digital analog outputs. Main characteristics:

- 2 analog outputs 0÷10V or ± 10 V
- 12 bit resolution
- Load range (voltage outputs): 1 k Ω to ∞
- Status and diagnostic LEDs



Ordering informations

| Products | SMITEC part number |
|---|---------------------------|
| Module with 2 analog outputs, complete with accessories (power connector, outputs connector and TBUS connector) | KZ010217 |

| Accessories | SMITEC part number |
|--|---------------------------|
| Power supply connector (Phoenix Contact p/n 1910377) | KF100009 |
| I/O connector (Phoenix Contact p/n 1738856) | KF101049 |
| TBUS connector (Phoenix Contact p/n 2713722) | KF101034 |
| Power supply fuse (Littelfuse p/n 0452 002) | KD201035 |

| Documentation | SMITEC part number |
|--|---------------------------|
| Installing instructions | DK400042 |
| Datasheet for VVO A2 | DK400071 |
| FLXIO and FLXMOD system integration manual | DK400076 |

Technical data

| General data | |
|---|--|
| Housing dimensions (width x height x depth) | 22.5 mm x 99.0 mm x 114.5 mm |
| Weight | 99 g (without connectors), 119 g (with connectors) |
| Connection method for connectors | Spring cage terminals |
| Conductor cross-section (power connector) | 0.2 to 2.5 mm ² (24 – 12 AWG) |
| Conductor cross-section (output connector) | 0.2 to 1.5 mm ² (24 – 16 AWG) |
| Functional earth connection | To the DIN rail by spring contact |
| Mode state visual indicators | Fault (FLT) and status (STS) LED lamps |

| Environment data | |
|--|--|
| Permissible operating temperature | +5° to +55°C |
| Permissible storage and transport temperature | -25° to +85°C |
| Permissible humidity | 10% to 95%, not condensing |
| Permissible air pressure (operation) | 80 to 106 kPa (up to 2000 m above sea level) |
| Permissible air pressure (storage and transport) | 70 to 106 kPa (up to 3000 m above sea level) |
| Degree of protection (CE) | IP20 according to IEC 60529 |
| Degree of protection (UL) | Open Type |
| Overvoltage category | II |
| Pollution degree | 2 |
| Means of protection (UL) | Class III SELV power supply |

| Power supply | |
|--------------------------------------|--|
| Main power supply V_m | 24 V DC \approx (-15% ÷ + 20% according to IEC 61131-2) |
| Maximum allowed ripple | 5% of supply voltage (according to IEC 61131-2) |
| Current consumption from main supply | 1.5 A max. (for external loads supply) |
| Supply overvoltage protection | Bidirectional Zener clamp ($V_z > 30$ V) |
| Supply reverse polarity protection | Protection diode, and safety fuse |
| Supply fuse | 2 A, not replaceable by the user |
| Local bus power supply | 5 V DC (from local bus) |
| Local bus supply protections | None |
| Power presence visual indicators | Green LED lamp, lighted if main supply is present (PWR) |
| Power load from local bus at 5V DC | Approx. 0,25W |
| Power load from local bus at 24V DC | Approx. 0,65W + 0,1W for each output at full load |
| Total power dissipation | Approx. 0,9W + 0,1W for each output at full load |
| Max. current on V_s pin | 1.5 A max. |

| Analog outputs | |
|---|--|
| Number of outputs | 2 |
| Voltage output range (unidirectional outputs) | 0÷10 V |
| Voltage output range (bidirectional outputs) | -10V ÷ +10V |
| Digital resolution | 12 bit |
| Output permissible load | 1 kΩ to ∞ |
| Unidirectional outputs total error at 25°C | ±0.5% of full scale range |
| Unidirectional outputs temperature drift | <0.01%/°C (referred to full scale range) |
| Bidirectional outputs total error at 25°C | ±1.0% of full scale range |
| Bidirectional outputs temperature drift | <0.02%/°C (referred to full scale range) |
| Outputs common potential isolation from GND | 500 VAC, functional |
| Isolation between channels | none |
| Output state visual indicators | Two orange LED lamps for every input, lighted when output 0-10V (UPx) or output ±10V (BPx) is active |

| Interface | |
|---------------------------------|--|
| Local bus | Proprietary FLXIO™ |
| Module address setting | By rotary switch on front panel |
| Bus connections | By TBUS connectors on DIN rail |
| Interface circuitry protections | ESD protections |
| Level of ESD protection | ±8 kV (IEC 61000-4-2, contact discharge) |

Connections

The module has two connectors: a power connector and an output connector. They allow easy “plug and play” of the module, and also a fast replacement of a faulty unit.



Warning: Use a cable with cross-section suited to the current involved. A wire smaller than necessary could cause risk of fire and unwanted voltage drops.



Warning: To ensure conformance with EMC directive 2014/30/UE, the length of the cables must not exceed 30 m!



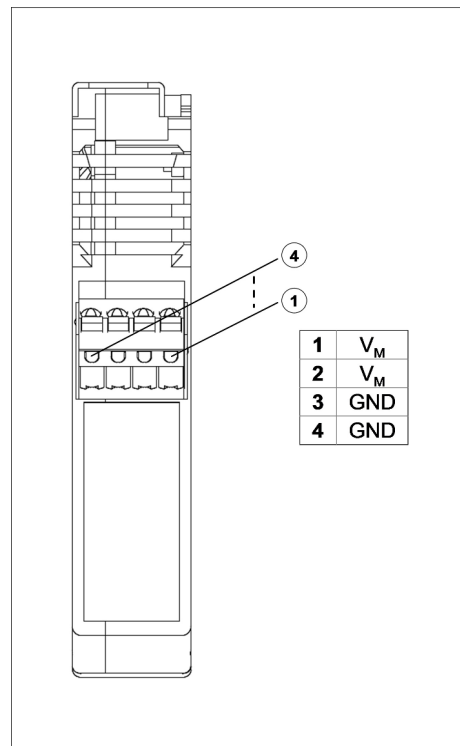
Warning: If the equipment is used in a manner not specified by the manufacturer, the protection provided by the equipment may be impaired

Power connector

The power connector is located on the bottom wall of the module. For the pinout, refer to the illustration.

Its function is to provide the supply for the I/O circuitry, whilst the CPU of the module is fed by the TBUS connector on the back of the unit.

Refer to the FLXIO and FLXMOD System Integration Manual for power connections topology.



For connector ratings and the applicable wiring refer to the following table

| Connector type: Phoenix Contact FKC 2,5/ 4-ST (1910377) | | | |
|--|----------------|---|-------------------------|
| Order code: KF100009 | | | |
| Technical data | | Conductor cross section | |
| Nominal voltage (CE) | 250V | Solid (CE) | 0,2÷2,5mm ² |
| Nominal voltage (UL) | 300V | Solid (UL) | 26÷12AWG - 75°C |
| Nominal current (CE) | 12A | Flexible (CE) | 0,2÷2,5mm ² |
| Nominal current (UL) | 10A | Flexible (UL) | 26÷12AWG - 75°C |
| | | Flexible, with ferrule without plastic sleeve | 0,25÷2,5mm ² |
| Stripping length | 10mm | Flexible, with ferrule with plastic sleeve | 0,25÷2,5mm ² |
| Screwdriver to open contacts | 0,6 x 3,5mm | 2 flexible conductors with same cross section, stranded, TWIN ferrules with plastic sleeve | 0,5÷1,5mm ² |

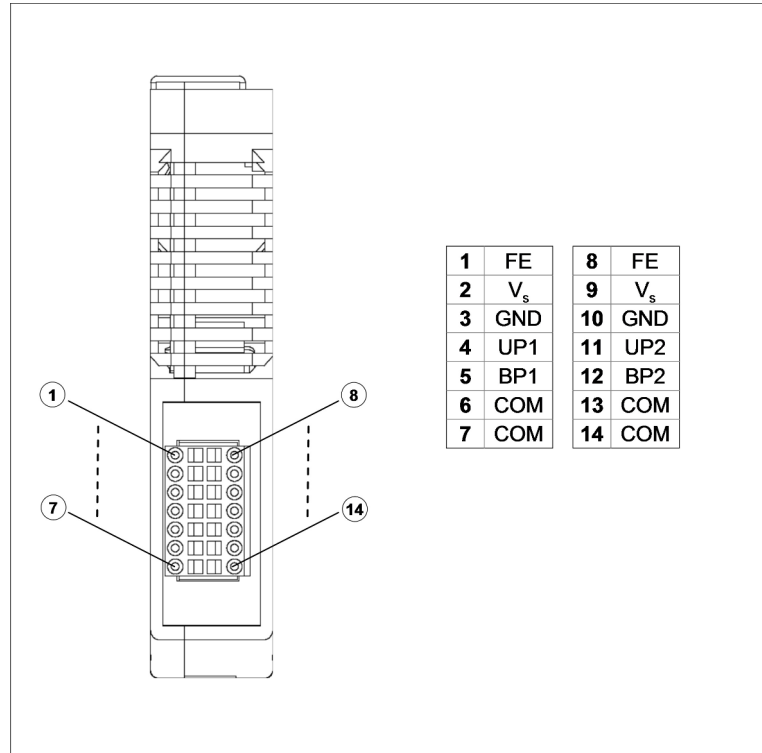


Warning: Pay attention to NOT supply the module with reverse polarity. This is to not blow internal fuse and/or damage the connected devices and/or burn the module itself.

Output connector

Located on the upper side of the module, this connector (see illustration) permits the wiring of the output signals.

As you can see from the illustration, each row of the connector has the same pinout, to ease the wiring and prevent mistakes.



For connector ratings and the applicable wiring refer to the following table

| Connector type: Phoenix Contact FMCD 1,5/7-ST-3,5 (1738856) | | | |
|--|-------------|---|--------------------------|
| Order code: KF101049 | | | |
| Technical data | | Conductor cross section | |
| Nominal voltage (CE) | 160V | Solid (CE) | 0,2÷1,5mm ² |
| Nominal voltage (UL) | 150V | Solid (UL) | 24÷16AWG - 75°C |
| Nominal current (CE) | 8A | Flexible (CE) | 0,2÷1,5mm ² |
| Nominal current (UL) | 8A | Flexible (UL) | 24÷16AWG - 75°C |
| Stripping length | 10mm | Flexible, with ferrule without plastic sleeve | 0,25÷1,5mm ² |
| Screwdriver to open contacts | 0,4 x 2,5mm | Flexible, with ferrule with plastic sleeve | 0,25÷0,75mm ² |

Connection notes

The connection scheme differs slightly, depending on the actuator's technology. More precisely, you have to use a different wiring for 4-wire, 3-wire and 2-wire actuators. In the figure on the next page, you'll find the recommended wiring for these actuators. If the system should work in a noisy environment, the use of shielded wire is mandatory; the shield must be connected to the FE pin of the connector.



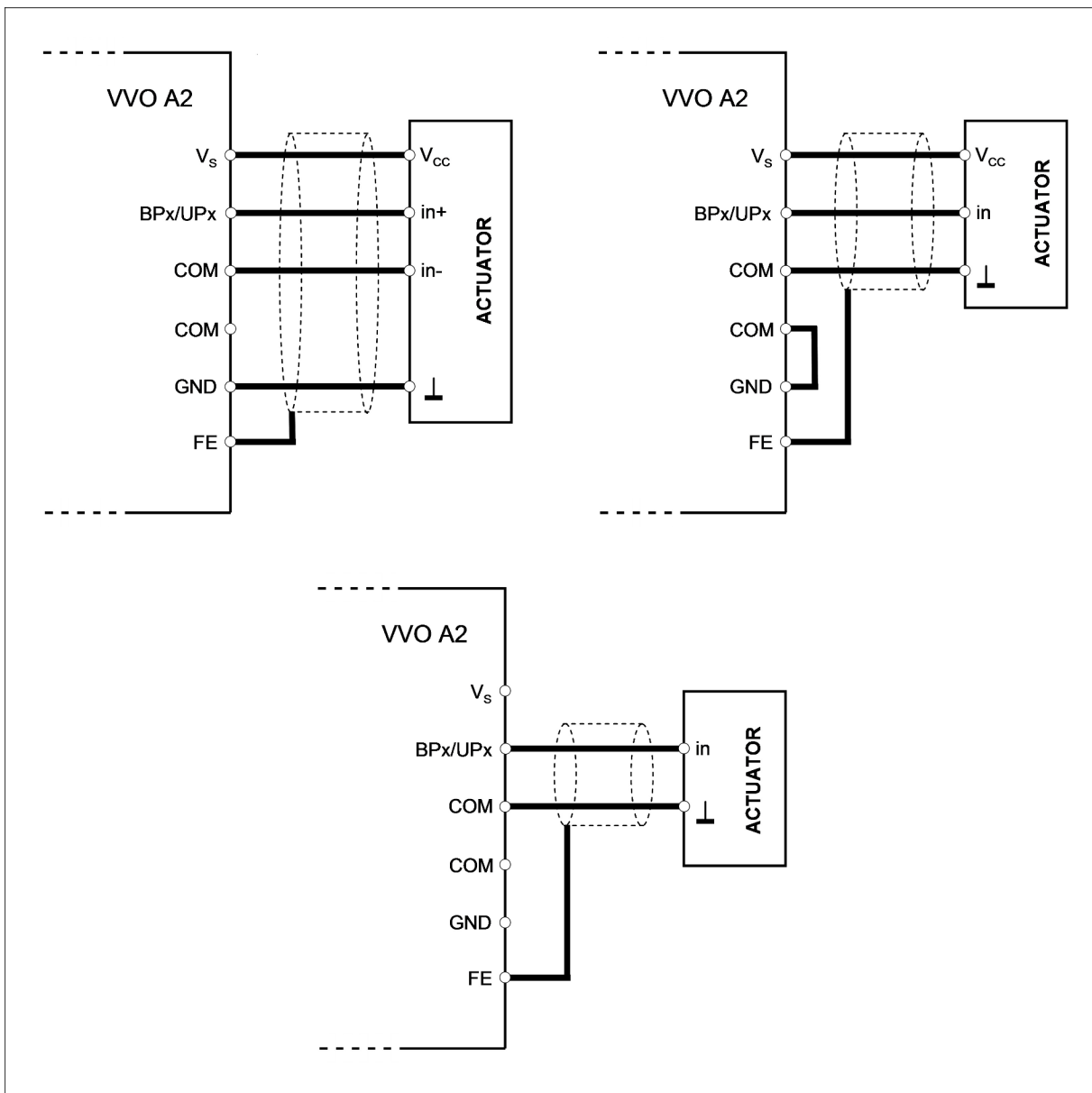
Warning: If the supply for an actuator is drawn from the output connector, be careful not to exceed the maximum current, or the internal fuse will blow. Refer to the module characteristics for fuse ratings.



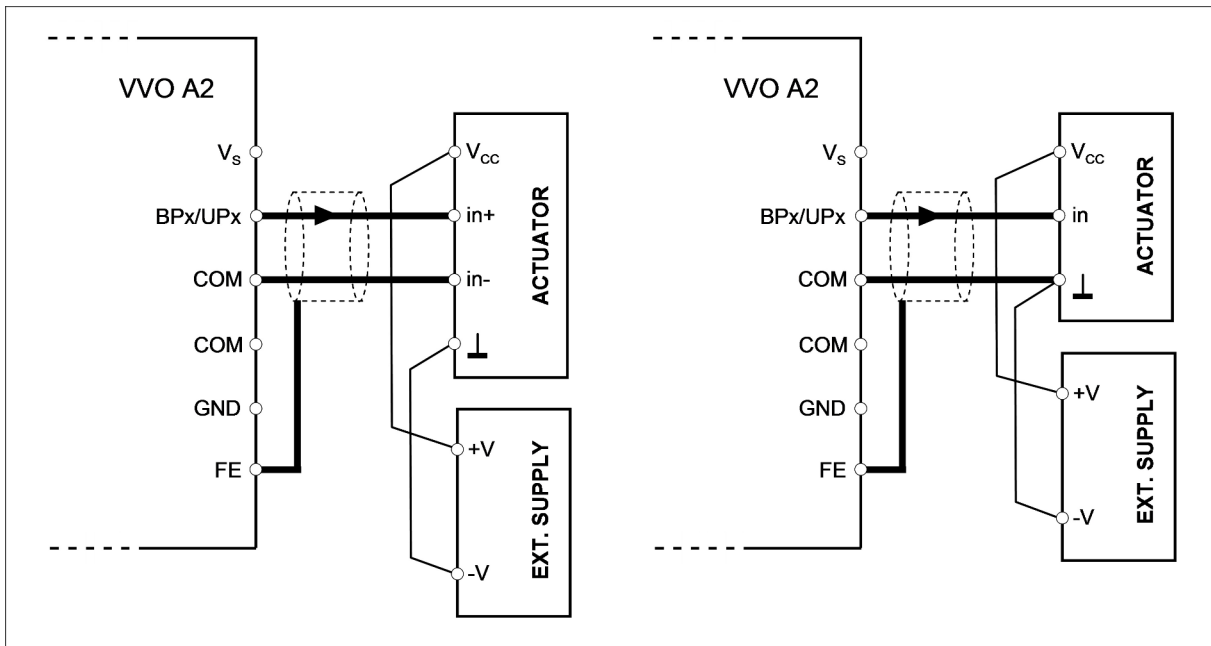
Warning: If the actuator is fed by an external power supply unit, never exceed the isolation voltage quoted on module characteristics, or system failure will occur!



Warning: Supplying an actuator with an external power supply unit, be aware of signal degradation risk due to quickly varying common mode potentials. Whenever possible, the ground of the external power supply should be equipotential with the ground of the main power supply.



Recommended connection for actuators, using a 4-wire (above, on the left), 3-wire (above, on the right) and 2-wire (below) technique.



Recommended wiring for externally-fed actuators, having a differential (left) and single-ended (right) signal input.

Module addressing

Before operation you must set the address of the module by the rotary switch reachable from the front panel; the operation is easily done opening the transparent plastic cover and turning the rotor with a small bladed screwdriver.

The address determination is described in the FLXIO and FLXMOD System Integration Manual.

Diagnostic and status indicators

Each module is provided with a series of LED lamps on the front panel (see illustration), that indicates the status of the unit, the setting of every output (voltage or current) and a possible diagnostic warning. For the sake of clarity, different lamp colours are employed.

The green power (**PWR**) LED is lighted if the 24 V supply (V_M) is present and the internal fuse is not blown.

Self monitoring of supply voltage is also implemented to deliver a best self-diagnosis. The module switches in diagnostic error when $V_M > 30Vdc$ and when $V_M <$ of the value set up by the master module (low voltage check is disabled by default); this status is displayed by STS LED.

The **UP1** and **BP1** LEDs indicate that the output #1 is used as an unidirectional ($0 \div 10V$) or bidirectional ($-10V \div +10V$) voltage generator; their colour is orange. The **UP2** and **BP2** LEDs have the same function, regarding the output #2.

The status of the unit is indicated by both status (**STS**) and fault (**FLT**) LEDs; their behaviour is described in the following logic state chart. The exact cause of a diagnostic error can be read out by master module and the application software.

