



CVO A2

FLXMOD

Analog outputs module

Description

FLXMOD™ system analog module, with two 0 ÷ 10V or 4 ÷ 20mA outputs having a resolution of 12 bit. This unit, designed for mounting on a standard DIN rail and housed in a compact plastic case, has an insulated front-end circuitry for best accuracy. Proprietary FLXIO™ bus ensure reliable real-time communication with the CPU.

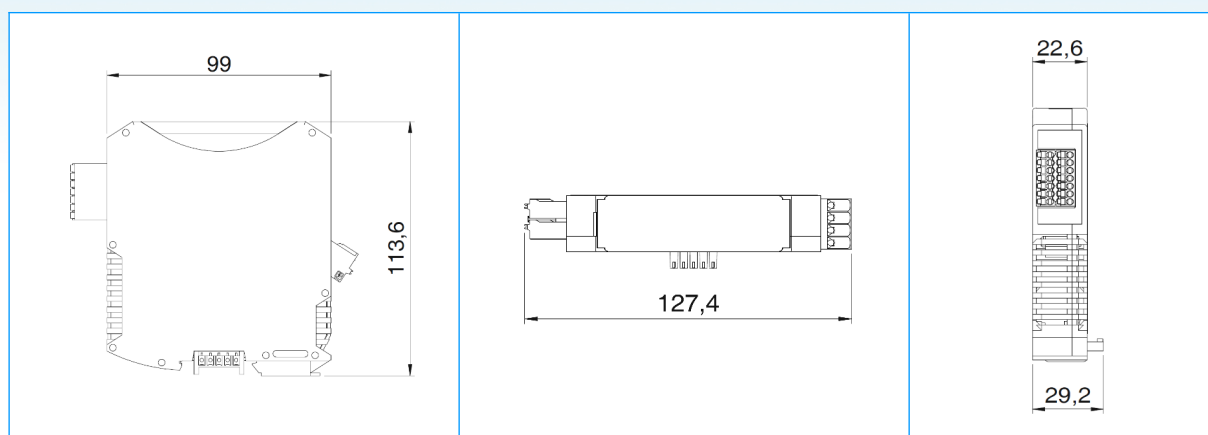


Smitec S.p.A.

Via Carlo Ceresa, 10 - 24015 San Giovanni Bianco (BG) ITALY
 Tel. +39 0345 40.111 - www.smitec.it
 P.I.: 04471940165 - C.F.: 03942700166

Technical data	
Housing material	Polypropylene
Degree of protection	IP20
Number of analog outputs	2
Analog outputs range	0÷10V or 4÷20mA (software configurable)
Analog outputs resolution	12 bit
Interface	Proprietary FLXIO™
Bus address setting	By rotary switch
Electrical specifications	Power supplies: I/O supply: 24V _{DC} / 1.5A max. (for external loads) Logic supply: 24V _{DC} and 5V _{DC} from backplane
Environmental specifications	Operating temperature: from +5°C to +55°C Storage temperature: from -25°C to +85°C Relative humidity: from 10% to 95% (non-condensing)

Dimensions



Data here mentioned are subject to changes without any notice.