



PWR 02

FLXMOD

Power supply module

Description

FLXMOD™ system power supply unit, designed for mounting on a standard DIN rail and housed in a compact plastic case. This unit, fed by a 24V_{DC} source, delivers the power supplies for the coupler and the I/O modules stacked on the rail. A standard RJ45 connector is available for extension of the FLXIO™ bus.

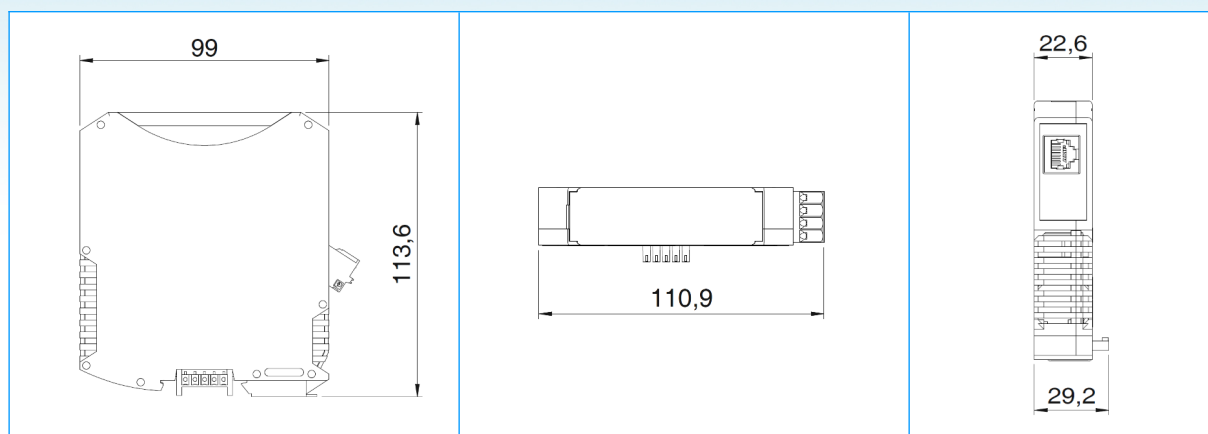


Smittec S.p.A.

Via Carlo Ceresa, 10 - 24015 San Giovanni Bianco (BG) ITALY
Tel. +39 0345 40.111 - www.smittec.it
P.I.: 04471940165 - C.F.: 03942700166

| Technical data | |
|------------------------------|----------------------------------------------------------------------------------------------------------------------------------------------|
| Housing material | Polypropylene |
| Degree of protection | IP20 |
| Power outputs | 2, delivered on backplane: 24V _{DC} / 2A max. (auxiliary supply) 5V _{DC} / 3A max. (logic supply) |
| Protection features | Overload and short-circuit on both outputs |
| Bus termination resistor | Absent |
| FLXIO™ bus extension | By RJ45 connector |
| Electrical specifications | Power supply: 24V _{DC} / 3A max. |
| Environmental specifications | Operating temperature: from +5°C to +55°C Storage temperature: from -25°C to +85°C Relative humidity: from 10% to 95% (non condensing) |

Dimensions



Data here mentioned are subject to changes without any notice.