



## PWR 01

**FLXMOD**

### Power supply module

#### Description

FLXMOD™ system power supply unit, designed for mounting on a standard DIN rail and housed in a compact plastic case. This unit, fed by a 24V<sub>DC</sub> source, delivers the power supplies for the coupler and the I/O modules stacked on the rail. Integrated termination resistor for FLXIO™ bus.

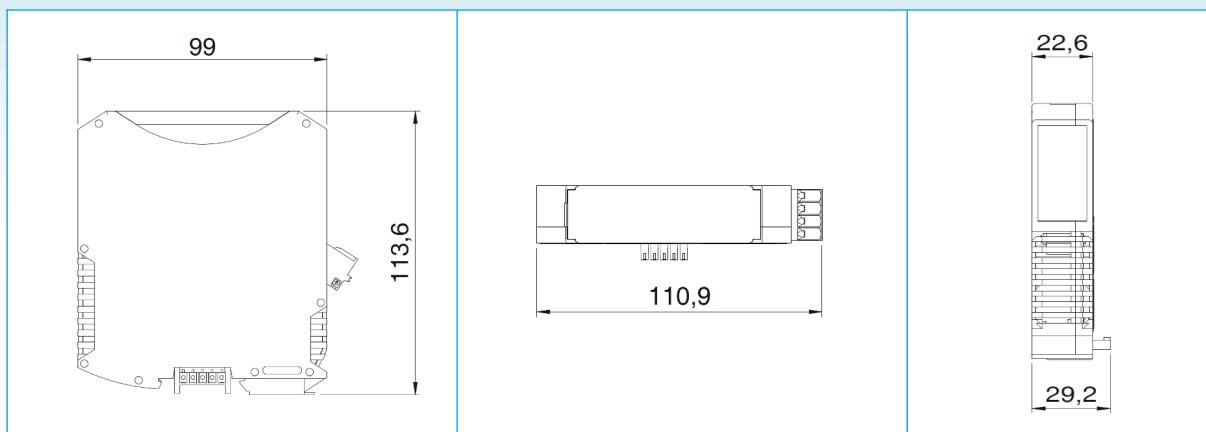


#### Smitec S.p.A.

Via Carlo Ceresa, 10 - 24015 San Giovanni Bianco (BG) ITALY  
Tel. +39 0345 40.111 - [www.smitec.it](http://www.smitec.it)  
P.I.: 04471940165 - C.F.: 03942700166

Technical data	
Housing material	Polypropylene
Degree of protection	IP20
Power outputs	2, delivered on backplane: 24V <sub>DC</sub> / 2A max. (auxiliary supply) 5V <sub>DC</sub> / 3A max. (logic supply)
Protection features	Overload and short-circuit on both outputs
Bus termination resistor	120Ω, integrated on-board
Electrical specifications	Power supply: 24V <sub>DC</sub> / 3A max.
Environmental specifications	Operating temperature: from +5°C to +55°C Storage temperature: from -25°C to +85°C Relative humidity: from 10% to 95% (non condensing)

## Dimensions



Data here mentioned are subject to changes without any notice.