



MST S4

FLXMOD

Industrial PC with SERCOS III bus master

Description

MST S4 is an industrial PC based on Intel 64 architecture with built-in SERCOS III bus master housed in a very compact plastic case designed for mounting on a standard DIN rail and styled to be perfectly integrated in a FLXMOD™ automation system. It is the ideal complement to build an automation system based on SERCOS III fieldbus and FLXMOD™ modules.

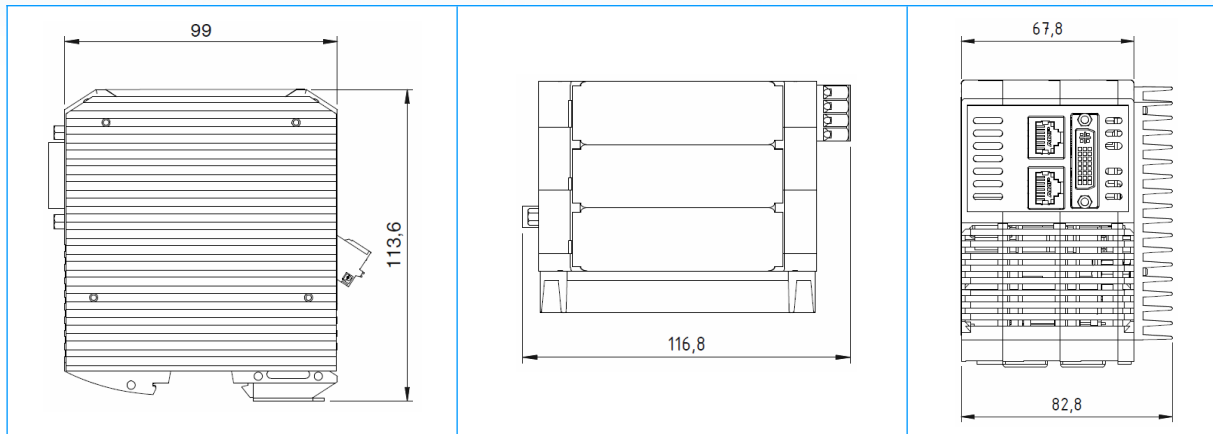


Smitec S.p.A.

Via Carlo Ceresa, 10 - 24015 San Giovanni Bianco (BG) ITALY
Tel. +39 0345 40.111 - www.smitec.it
P.I.: 04471940165 - C.F.: 03942700166

Technical data	
Architecture	Intel® 64
Available OS	Microsoft Windows 10 IOT / Linux
Housing material	Polypropylene
Degree of protection	IP20
Processor	Quad Core Intel® Atom™ x5-E8000 (1.04GHz)
Memory	2GB 1600MT/s DDR3L RAM
Display	DVI-D single channel output
Fieldbus	1 x SERCOS III master
Connections and features	1 x DVI-D output (upper side) 1 x USB 3.0 (bottom side) 2 x Gigabit LAN (bottom side) 1 x CFast socket (front side) 1 x uSD socket (front side) 1 x reset button (front side) 3 x programmable LEDs
Electrical specifications	Power supply: 24V _{DC}
Environmental specifications	Operating temperature: from +0°C to +50°C Storage temperature: from -20°C to +60°C Relative humidity: from 0% to 90% (non condensing)

Dimensions



Data here mentioned are subject to changes without any notice.