



## COSMOS 301X

### Digital servodrive

#### Description

Digital servodrive, available for both brushless and asynchronous motors. Designed for challenging applications on modern machinery, it offers extraordinary flexibility thanks to reliable real-time buses, sophisticated control algorithms, flexibility on motors and encoders. Available with proprietary FLXIO™ interfaces for demanding real-time applications, standard Ethernet where timings are not paramount and managed by digital and analog I/Os.

#### Available models

Cosmos 3010FU	Servodrive for brushless and asynchronous motors with FLXIO fieldbus
Cosmos 3010FA	Inverter for asynchronous motors with FLXIO fieldbus
Cosmos 3010RU	Servodrive for brushless and asynchronous motors with I/O Plus interface
Cosmos 3010RA	Inverter for asynchronous motors with I/O Plus interface
Cosmos 3011RU	Servodrive for brushless and asynchronous motors with I/O STD interface
Cosmos 3011RA	Inverter for asynchronous motors with I/O STD interface
Cosmos 3012RA	Inverter for asynchronous motors with I/O Plus Light interface

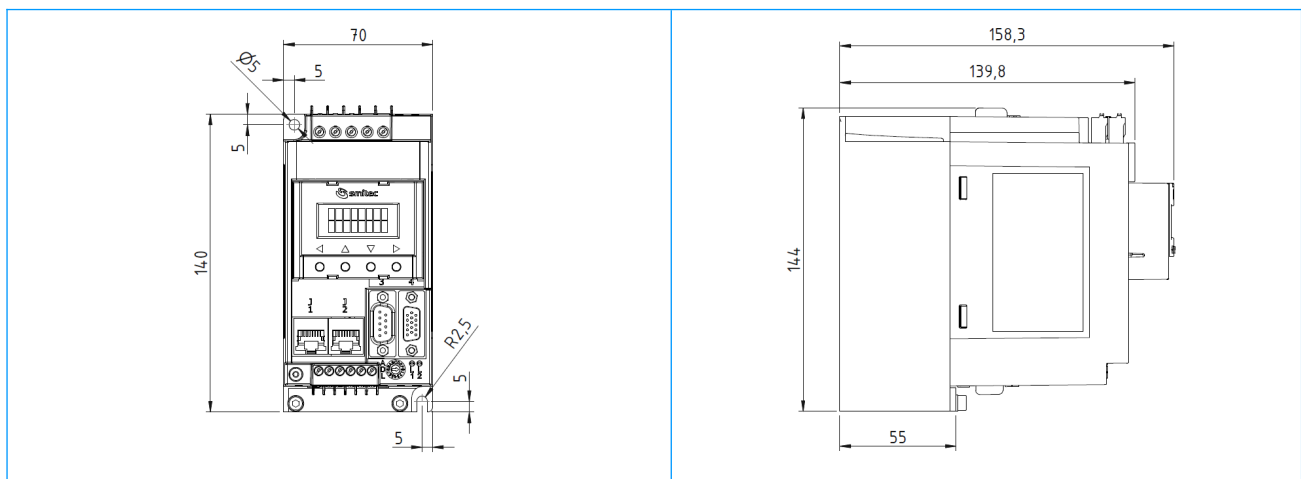


#### Smittec S.p.A.

Via Carlo Ceresa, 10 - 24015 San Giovanni Bianco (BG) ITALY  
 Tel. +39 0345 40.111 - [www.smittec.it](http://www.smittec.it)  
 P.I.: 04471940165 - C.F.: 03942700166

Technical specifications							
Housing material	PBT+GF						
Degree of protection	IP20						
Nominal current	4.2 A <sub>RMS</sub>						
Peak current	15 A						
Motor	Asynchronous three-phase or brushless (depending on version)						
I/O	<b>3010FU</b>	<b>3010FA</b>	<b>3010RU</b>	<b>3010RA</b>	<b>3011RU</b>	<b>3011RA</b>	<b>3012RA</b>
Digital inputs 24V	2	2	17	17	4	4	4
Digital outputs 24V 30mA	-	-	5	5	1	1	6
Output 24V 500mA for static brake	-	-	1	1	1	1	-
Analog input 0-10V/4-20mA/Pot	-	-	1	1	1	1	-
Analog output 0-10V	-	-	1	1	1	1	-
Thermocouple input (J type)	-	-	-	-	-	-	1
Encoder Line driver A/B	-	X	-	X	-	-	-
Encoder A/B + UVW Line Driver	X	-	X	-	X	-	-
Resolver	-	-	X	-	X	-	-
Dynamic brake output	X	-	X	-	X	-	-
User interface	Optional detachable VISIO (keypad and display interface for parameter setup and data visualization) for 301xRx versions						
Bus interface	FLXIO™ for 3010Fx versions RS-485 for 301xRx versions						
Electrical specifications	Main supply: 1 phase, 230 VAC ±10% Auxiliary supply: 24 VDC -15%÷+10% (except the I/O STD versions)						
Environmental specifications	Operating temperature from +0°C to +55°C (no derating up to 40°C) Relative humidity from 5% to 85% (non condensing)						

## Dimensions



Data here mentioned are subject to changes without any notice.