



TCP A3

FLXMOD

Thermocouples acquisition module

Description

FLXMOD™ system analog module, with three inputs for thermocouples having a resolution of 12 bit and internal cold-junction compensation. This unit, designed for mounting on a standard DIN rail and housed in a compact plastic case, has an insulated front-end circuitry for best accuracy. Proprietary FLXIO™ bus ensure reliable real-time communication with the CPU.

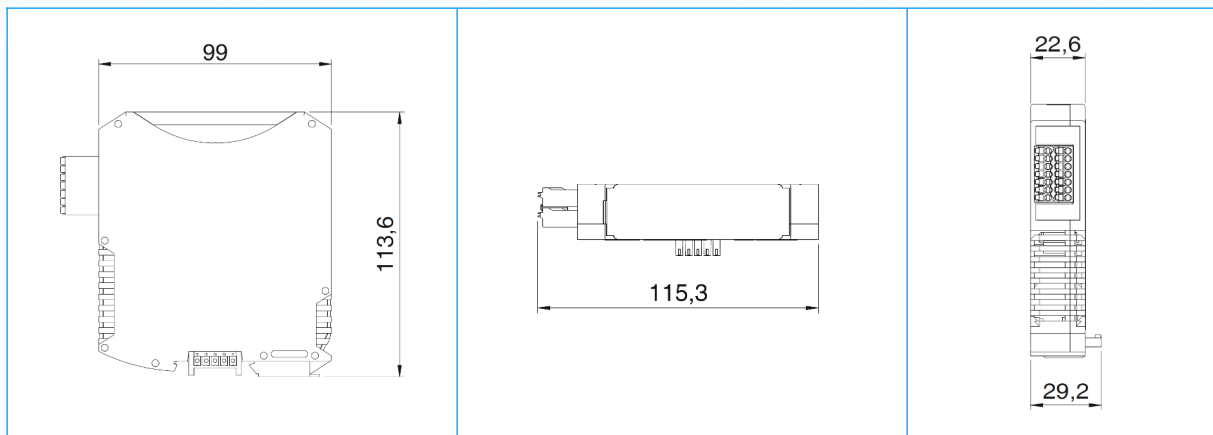


Smittec S.p.A.

Via Carlo Ceresa, 10 - 24015 San Giovanni Bianco (BG) ITALY
Tel. +39 0345 40.111 - www.smittec.it
P.I.: 04471940165 - C.F.: 03942700166

Technical data	
Housing material	Polypropylene
Degree of protection	IP20
Number of analog inputs	3
Analog inputs characteristics	For thermocouples
Analog inputs range	-2.582÷+28.405mV (-53.24°÷+518.04°C, J-type thermocouple) (-69.85°÷+682.74°C, K-type thermocouple)
Analog inputs resolution	12 bit
Cold-junction compensation	Internal (-50.3°÷+99.7°C) or external (with optional LM335 sensor)
Interface	Proprietary FLXIO™
Bus address setting	By rotary switch
Electrical specifications	Logic supply: 24V _{DC} and 5V _{DC} from backplane
Environmental specifications	Operating temperature: from +5°C to +55°C Storage temperature: from -25°C to +85°C Relative humidity: from 10% to 95% (non condensing)

Dimensions



Data here mentioned are subject to changes without any notice.