



DIO 16

FLXMOD

Digital I/O module

Description

FLXMOD™ system digital I/O module, with 16 software-configurable digital 24V I/Os. This unit, designed for mounting on a standard DIN rail and housed in a compact plastic case, is compatible with most industrial digital sensors and actuators available on the market. Proprietary FLXIO™ bus ensure reliable real-time communication with the CPU.

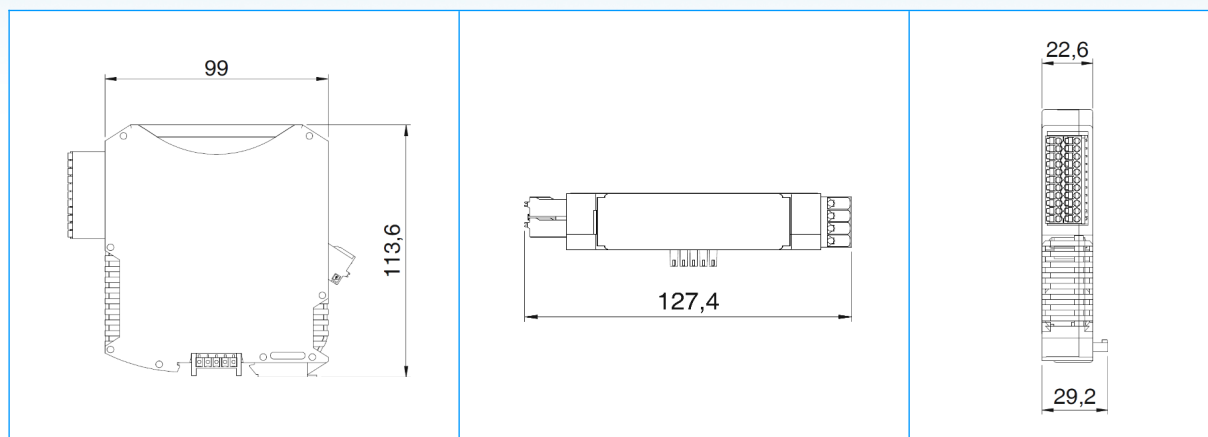


Smittec S.p.A.

Via Carlo Ceresa, 10 - 24015 San Giovanni Bianco (BG) ITALY
Tel. +39 0345 40.111 - www.smittec.it
P.I.: 04471940165 - C.F.: 03942700166

| Technical data | |
|------------------------------|--|
| Housing material | Polypropylene |
| Degree of protection | IP20 |
| Number of digital I/Os | 16, individually configurable as inputs or outputs |
| Inputs characteristics | Type 1 and Type 3 according to IEC 61131-2 |
| Outputs characteristics | Current-sourcing hi-side MOSFET with fast demagnetizing feature, 500mA max. |
| Protection features | Overload, short-circuit and overtemperature |
| Interface | Proprietary FLXIO™ |
| Bus address setting | By rotary switch |
| Electrical specifications | Power supplies: I/O supply: 24V _{DC} / 7A max. Logic supply: 24V _{DC} and 5V _{DC} from backplane |
| Environmental specifications | Operating temperature: from +5°C to +55°C Storage temperature: from -25°C to +85°C Relative humidity: from 10% to 95% (non condensing) |

Dimensions



Data here mentioned are subject to changes without any notice.