

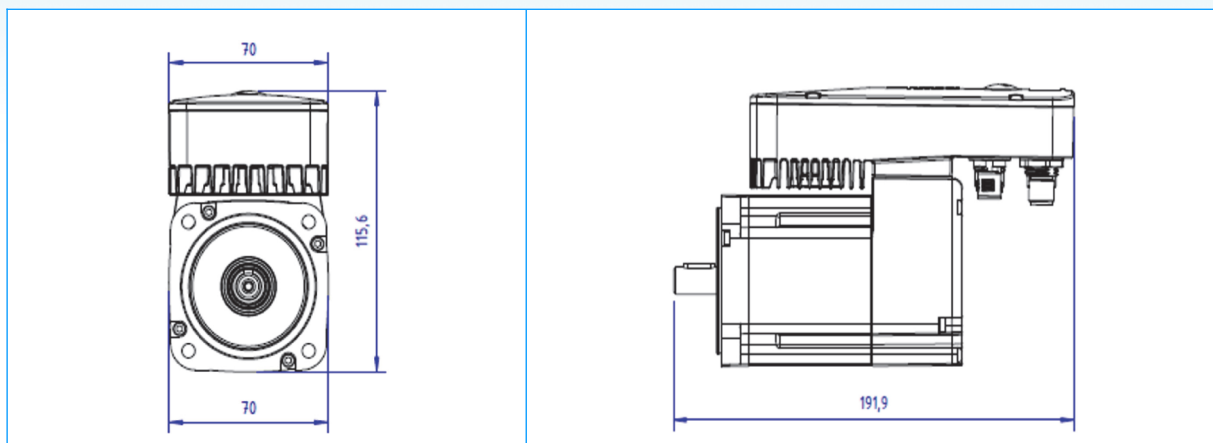
ICOS 3110

Integrated digital servodrive

High performance integrated digital servodrive. Designed for challenging applications on modern machinery, it offers extraordinary flexibility thanks to reliable real-time buses and sophisticated control algorithms. Available with proprietary FLXIO™ interfaces for demanding real-time applications with the use of Sercos III™, Ethercat and Modbus TCP gateways.

Specifiche tecniche	
Housing	Painted aluminum
Degree of protection	IP65
Motors	Brushless
Nominal current	0.65 A _{RMS}
Peak current	2.1 A
Encoder	Magnetic Incremental
Digital I/O	2 Input 24V high speed and normalized
Bus interface	Isolated proprietary FLXIO™ Available SERCOS III™, Ethercat, Modbus TCP gateways
Power connection	1 M12 Power cod. S connector – Without daisychain
Vaux connection	1 M12 cod. A connector male – Without daisychain
I/O connection	1 M12 cod. A connector female
Electrical specification	Main Power supply: 325 V _{DC} Vaux: 24 V _{DC} -15%+10%
Environmental specifications	Operating temperature from +0°C to +55°C (without derating up to 40°C) Relative humidity from 5% to 85% (noncondensing)
Power supply	Available the ICOS-PS 3161 power supply with 16A in three phases configuration or 9A in single phase configuration

Dimensions



Data here mentioned are subject to changes without any notice.